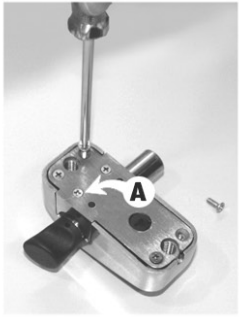


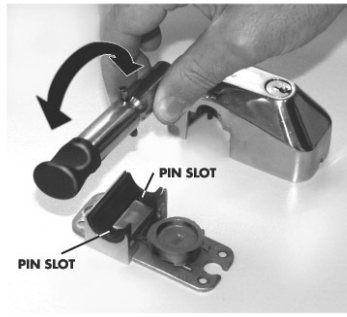
## Changing from left- to right-hand fitting



**1.** Remove the key and place the Lock Body face down. Remove the four corner screws but **DO NOT REMOVE** the two center screws (shown at A).



**2.** Pick up the Lock Body with both hands, being **careful** to hold together the front and back covers (to prevent internal components moving). Turn over the Lock Body and place down on a flat surface.



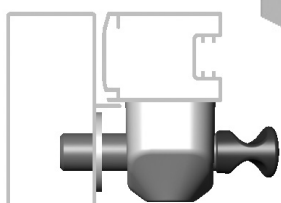
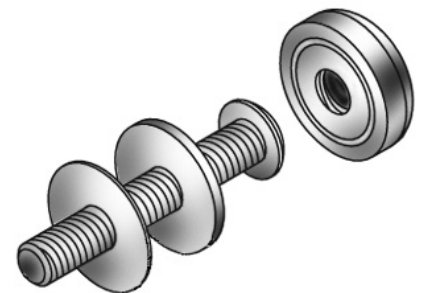
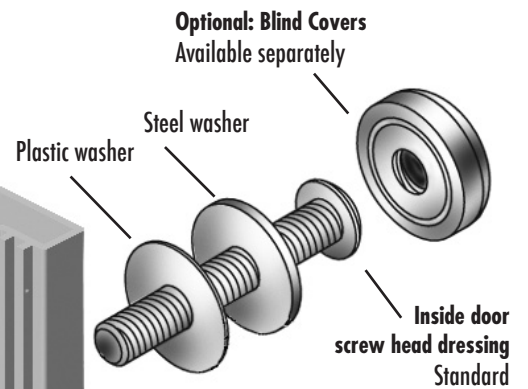
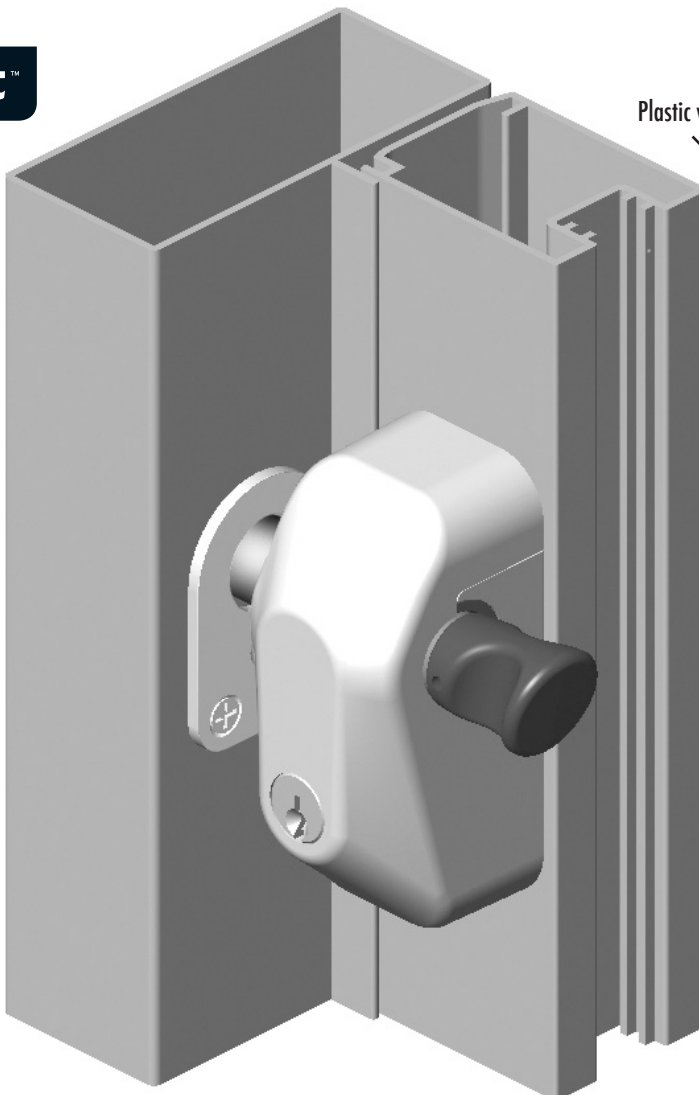
**3.** Lift the front cover and place to one side. Lift the bolt and flip it over as shown, and place it back in the cradle so that the pin fits into the slot - either of the two slots will work.



**4.** Replace the front cover and re-fit the four screws. **DO NOT** use power screwdrivers; use hand tools.



### Side-Mount model



Top view: Side-Mount model



The D&D PullBolt™ is designed to provide added security to shop fronts, doors, frames and gates. The locking mechanism is a “deadlock” design, meaning that it has to be locked in either the open or closed positions to allow removal of the key. The PullBolt has a throw of 1¼” (32mm) and remains captured in the Lock Body when locked in the open position. The PullBolt is designed to be mounted on the exterior of doors and gates, so that the mounting-screw heads are concealed from manipulation.

*Note: In the text below, the word “door” substitutes for “gate”.*

**Preparation:** Before installing this D&D PullBolt™:

- ensure the maximum gap between the two mounting frames does not exceed ½” (13mm). This will ensure a minimum bolt protrusion into the locking frame or ground of at least ¾” (19mm).
- ensure there is at least 3” (75mm) of handle clearance to allow the bolt to retract when opening. Refer to the Drilling Template.
- ensure the handing is correct. The PullBolt is factory assembled to be mounted onto a left-hand opening door. To rotate the bolt to fit right-hand opening see the instructions on the reverse side.

**Tools required:** Electric or cordless drill, 7/16” dia. (11mm dia.), 7/8” dia. (22mm dia.) hole saw (or spade-bit for wood) and 1/8” dia. (3.5mm dia.) drill bits, 6mm Allen key, square, hammer, centerpunch, pointed implement, pencil, adhesive tape (for temporarily taping the template to the frame as required).

**Installation procedure:**

1. Determine the position on the door where you intend mounting the PullBolt, and, with the pencil, mark a fine, level centerline across the face of the frame. This will be centerline ‘A’. Use the square to mark this centreline around to the side of the frame - and then around to the rear of the frame. This is to ensure correct alignment of all drilled holes.
  2. Transfer the line A across to the Wall Frame or Post. Mark a point 15/16” (24mm) down from this line and 1” (25mm) in from the face (see ‘KEEPER’ on the drilling template). This is the center of the PullBolt hole. Centerpunch this point and drill a 7/8” dia. (22mm dia.) hole to a maximum depth of 1¼” (32mm).
  3. Align the Keeper with this hole and mount it using the three screws provided.
  4. Unlock the ‘LOCK BODY’ and fully retract the PullBolt handle. Place the Lock Body against the frame leaving a minimum gap of 1/8” (3mm) between the edge of the Lock Body and the face of the Keeper. Ensure the door can open without any interference. Mark a vertical “positioning line” on the frame using the outer edge of the Lock Body as a guide. Reproduce a corresponding line on the rear face of the door frame by measuring.
  5. Fold the template along line ‘D’ for left-hand mounting (or along line ‘E’ for right-hand mounting). Align the folded template line with both the front positioning line and centerline ‘A’. Mark the two center points through the template using a pointed instrument, then centerpunch these points. Now repeat this action at the rear positioning line using line ‘E’ (or line ‘D’ for left-hand mounting). This ensures accurate, level drilling through the door section.
  6. Drill holes of 7/16” dia. (11mm dia.) through the frame - from both sides - in the places marked. (Smaller pilot holes may assist drilling accuracy.)
  7. Place the washers under the head of the M10 mounting screws and insert the screws into the rear drilled holes. A maximum thread protrusion of 7/8” (22mm) from the front of the door section and a minimum thread protrusion of 3/8” (10mm) applies. Contact your distributor for longer screws if required, or cut to 3/4” (19mm) if too long.
  8. Take the 6mm Allen key and secure the mounting screws firmly into the Lock Body and Keeper.
- Check to ensure that the PullBolt locks securely and that there is no interference when opening the door.

The D&D PullBolt™ is now ready for use.

**MAINTENANCE:** Lubricate the D&D PullBolt™ using only graphite powder. DO NOT use oil or grease.

For a downloadable Adobe Acrobat (.PDF) version of our Limited LIFETIME WARRANTY, go to our website at [www.ddtechglobal.com](http://www.ddtechglobal.com)



**D&D Technologies**

Hi-Performance Hardware

**AUSTRALIA:** Unit 6, 4-6 Aquatic Dr, Frenchs Forest NSW 2086

**USA:** 7731 Woodwind Drive, Huntington Beach, CA 92647

[www.ddtechglobal.com](http://www.ddtechglobal.com)