

INSTALLATION INSTRUCTIONS TCHDRND2

D TRU**Close**® **ROUND**

FITS BOTH LEFT-HAND OR
RIGHT-HAND HINGED GATES

Some important points concerning the installation of 'ROUND-POST HINGES':

- Note that each hinge has **two** different-sized adaptors to fit various diameters of posts or gate frames.

- The adaptors in this pack fit the following diameters:

GATES: 1⁷/₈"–2" (48–51mm)

POSTS: 1⁷/₈"–2", 2⁷/₈" (48–51mm & 73mm)

- Wherever possible, keep the "adjustable end" of the hinge (indicated by screw in endcap) facing up for ease of tension adjustment.

- The hinges should be installed as far apart vertically as is practical.

Tools required: Electric drill/cordless drill, ³/₁₆" (4.8mm) & ⁵/₃₂" (4mm) drill bits, Phillips 2 screwdriver (hand & power), ⁵/₁₆" hex-head driver and large slot-head screwdriver.

PROCEDURE

1. Insert the adaptors for the gate frame into the rear of the hinges, ensuring the location 'lugs' at the rear of the adaptors fit snugly into the hinges.

2. Take the hinges and align/position them onto the gate (see Diagram A).

3. Take the hex-shaped screws (12g–24x25mm) and secure the hinges to the gate.

A pilot hole of ³/₁₆" (4.8mm) will be required.

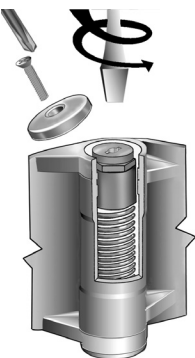
Note the need for hinge vertical alignment (level), as shown in Diagram B. The wafer-head screws (10g–24x22mm) for the side-fixing legs are to be installed once the gate is hung.

4. Insert the post adaptors into the rear of the hinges.

5. Take the gate and locate it into the desired position/height. You may need to prop up and support the gate temporarily during installation.

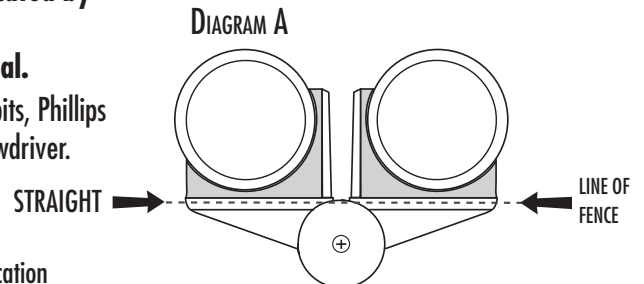
6. Ensuring the gate is correctly aligned with the fence (see Diagram A), take the remaining hex-head screws and secure the hinges (the gate) to the post. Again, pilot hole of ³/₁₆" (4.8mm) will be required.

7. Open the gate sufficiently to allow installation of the screws for the side-fixing legs. Note there are four screws remaining for each hinge. A pilot hole of ⁵/₃₂" (4mm) will be required.

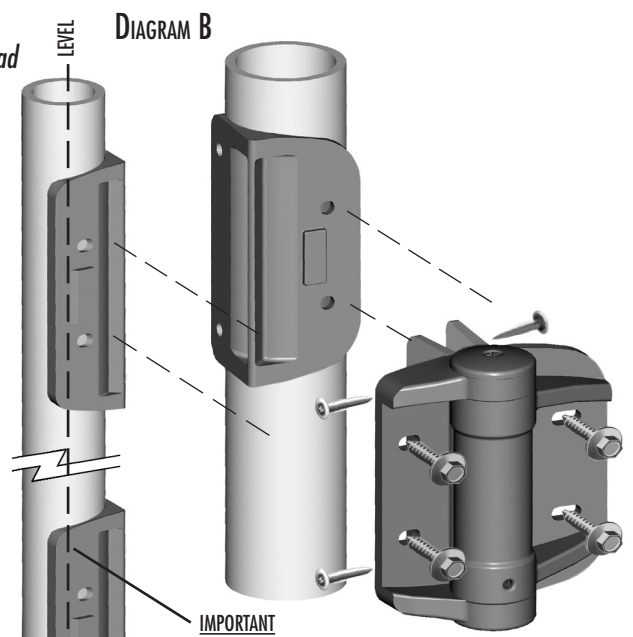


8. **Adjust tension:** Remove the endcap at the "adjustable" end of the hinge. Use the large slot-head screwdriver to depress and turn the internal spring-loaded adjuster counter-clockwise. Hold the desired tension and allow to rise back into retention sleeve. Replace endcap.

The gate is now ready for use. Ensure the gate cannot swing beyond 180° through the line of the fence by installing a latch or 'gate stop'.



Maintain 180° alignment during installation to ensure accurate, reliable closure.



IMPORTANT
Keep top and bottom hinges vertically aligned (level)

MAINTENANCE & REQUIREMENTS:

- Always use two ROUND-POST HINGES on any one gate.
- Ensure the gate does not swing beyond 180°.
- Each hinge must have equal tension at all times.
- Remove all other types of hinges and self-closing devices.
- Do not lubricate these hinges with petroleum-based lubricants. Use only powdered graphite.
- Never remove ROUND-POST HINGES from gate until spring tension is released.
- Do not physically alter hinge bodies by cutting, milling, machining or grinding any part.
- For safety, remove protruding bolts/screws after installation by cutting, grinding and/or filing.



D&D Technologies

Hi-Performance Hardware

AUSTRALIA: Unit 6, 4-6 Aquatic Dr, Frenchs Forest NSW 2086

USA: 7731 Woodwind Drive, Huntington Beach, CA 92647

www.ddtechglobal.com

For a downloadable Adobe Acrobat (.PDF) version of our Limited LIFETIME WARRANTY, go to our website at www.ddtechglobal.com