

TO FIT ROUND POSTS:

TCAMA1RND:	TCAMA1RND2:	TCAMA2RND:	TCAMA2RND2:
GATE: 1 ³ / ₈ " (35mm)	2" (50mm)	1 ³ / ₈ " (35mm)	2" (50mm)
POST: 2" (50mm), 2 ³ / ₈ " (60mm), 2 ⁷ / ₈ " (73mm)	2" (50mm), 2 ³ / ₈ " (60mm), 2 ⁷ / ₈ " (73mm)	2" (50mm), 2 ³ / ₈ " (60mm), 2 ⁷ / ₈ " (73mm)	2" (50mm), 2 ³ / ₈ " (60mm), 2 ⁷ / ₈ " (73mm)

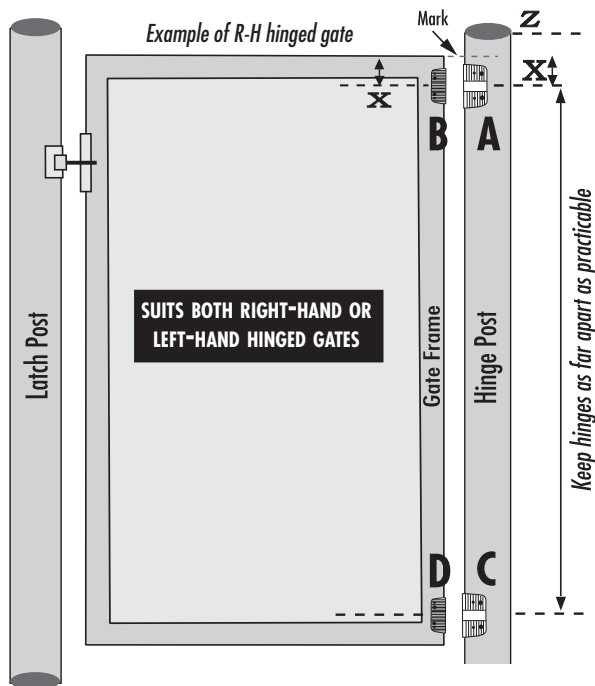
INSTALLATION INSTRUCTIONS

Some important points concerning the installation of MULTI-ADJUST HINGES:

- **The hinges should be installed as far apart as is practicable** for optimum performance.
- **Minimum gap** between hinge post and gate: 3/4" (19mm).
- **Maximum gap:** TCAMA1RND: 1 1/2" (39mm), TCAMA2RND: 2 1/16" (53mm).

TCAMA1RND2: 1 1/2" (39mm), TCAMA2RND2: 2 1/16" (53mm).

Tools required: Electric drill/cordless drill (use low clutch settings), drill bits, Phillips No. 2 screwdriver (hand & power), large slot-head screwdriver and 7/16" wrench (preferably 6" long (150mm)).



Step 1 – Install 4 MOUNTING BRACKETS

For centering and leveling Brackets A and B (and C & D), align the center of each bracket with centerlines as indicated by the dashed lines.

1. Determine the location of the gate in the mounted position. On the hinge post, mark the top of the gate, as shown at point 'Z'.
2. From this point, measure down the desired distance [X] for the center of the Brackets A and B – and up the same distance from the bottom of the gate for Brackets D and C. (Note that the top of the smaller brackets B and D should **never** be installed closer than 1³/₁₆" (30mm) from the top or bottom of the gate respectively.)
3. Using the 1¹/₄"x10g self-drilling, wafer-head screws supplied, first (for a R-H hinged gate as shown) fix Brackets B and D to the gate frame, and then fix Brackets A and C to the hinging post. (For a L-H hinged gate fit A & C to the post and B & D to the gate. Ensure enough clearance at the bottom (D-C) to allow for easy adjustment, as adjustor is facing down.)
Each Bracket has three screw holes: two at the front and one in the side-fixing leg. If a vinyl gate has aluminum reinforcing thicker than 1/8" (3mm), or steel of any thickness, the screws will require 5/32" (4mm) 'pilot' holes. ▼

Step 2 – Install MAIN HINGE BODY

1. Take the hinge bodies and place them over the gate Brackets B and D. Use the dome nuts supplied to secure the hinges finger tight.
2. Tener a mano el resto de las tuercas cúpula. Tomar la puerta (con las bisagras colocadas) y ubicar las bisagras por encima de los soportes del poste A y C. Ajustar las tuercas cúpula para fijar transitoriamente la puerta en posición.

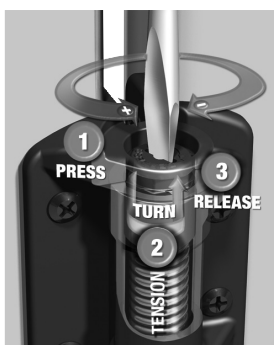
Step 3 – VERTICAL & HORIZONTAL ADJUSTMENT

1. Note that the slots on the right leaf are horizontal and on the left leaf they are vertical. The gate now needs to be lifted and aligned for correct operation. Lift gate so that the top of the gate is in line with point 'Z'. Firmly tighten the dome nuts on the left-hand leaf. **DO NOT OVERTIGHTEN THE DOME NUTS** – thus the suggested 6" wrench.

MAINTENANCE & REQUIREMENTS:

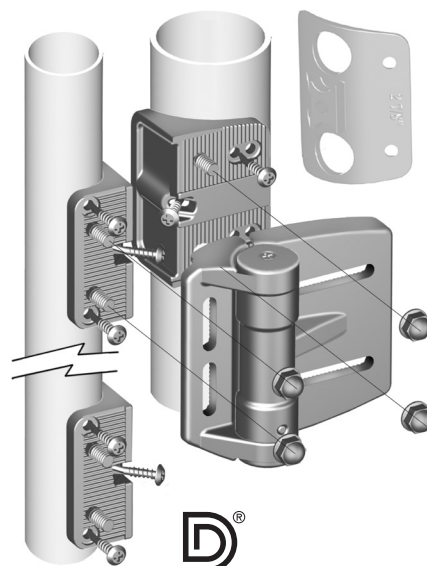
- Always use two MULTI-ADJUST hinges on any one gate.
- Ensure the gate does not swing beyond 180°.
- Each hinge must have equal tension at all times.
- Remove all other types of hinges and self-closing devices.
- Do not lubricate or disassemble these hinges at any time.
- Never remove MULTI-ADJUST hinges from gate until spring tension is released.
- Do not physically alter hinge bodies by cutting, milling, machining or grinding any part.
- For safety, remove protruding bolts/screws after installation by cutting, grinding and/or filing.

For a downloadable Adobe Acrobat (.PDF) version of our Limited LIFETIME WARRANTY, go to our website at www.ddtechglobal.com



Step 4 – ADJUST TENSION

Remove endcap. While supporting the weight of the gate, use the large screwdriver to depress and turn the spring-loaded adjuster counter-clockwise. Hold the desired tension and allow the adjuster to rise back into retention sleeve. Replace endcap.



D&D Technologies

Hi-Performance Hardware

AUSTRALIA: Unit 6, 4-6 Aquatic Dr, Frenchs Forest NSW 2086
USA: 7731 Woodwind Drive, Huntington Beach, CA 92647
EUROPE: Niasstraat 1, 3531 WR Utrecht, The Netherlands.

www.ddtechglobal.com

TCAMARND001PA

•Instructs TCAMARND 14/12/11