

*The world's best gate hinges & locks
just got better!*



What's your style? We have you covered.



Black trim covers (standard)



Chrome trim covers (optional)



Brushed trim covers (optional)

Chrome

TruClose® "Series 3" Hinges

Top-selling TruClose® Safety Gate Hinges have long been the most reliable self-closing gate hinges on the market. The new "Series 3" range offers a unique, custom approach to gate hardware by introducing trim covers to match your gate lock or latch, while concealing all fasteners.

Features:

- D&D-patented tension adjustment
- Adjust tension from either end!
- No visible fasteners
- Optional decorative trim covers
- Super-strong engineering polymers and stainless steel components
- Improved performance (H/Duty models self-close gates up to 70kg)

Benefits:

- Easy-to-adjust closing speed
- Tension adjustment is always facing up
- Stylish, contemporary appearance
- Consistent, reliable operation
- Co-ordinates with the new LokkLatch MAGNETIC gate lock
- Won't rust, bind, sag or stain



Limited Lifetime Warranty
on all D&D-manufactured products

Brushed

D® TRUClose® Series 3

Up to 40% stronger!



Black trim covers shown



Meets
Pool Fencing
Standards



MODEL DESIGN OPTIONS

ALIGNMENT LEGS ("L2" models)
Quick-fit alignment legs for fast installation and added fitting strength. Two legs provide secure, double-face fixing.



OPTIONAL 2 LEGS (L2), 1 LEGS (L1)

REINFORCING RIBS
Moulded ribs provide superior strength

STYLISH FINISH
Decorative trim covers provide a modern, stylish look

CONCEALS FASTENERS
Trim covers hide the fasteners to improve the appearance of the gate



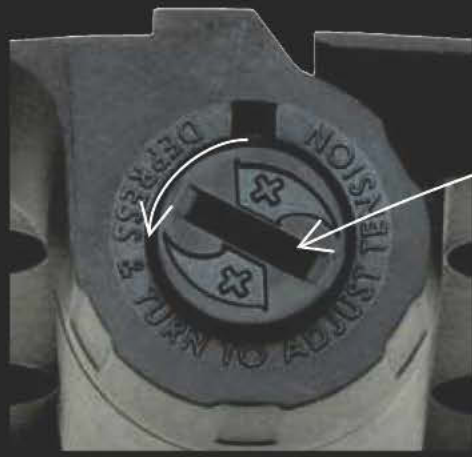
PATENTED ADJUSTOR
Easy tension adjustment

INTERNAL STAINLESS STEEL SPRING
Won't rust or corrode

OPTIONAL TRIM COVERS
Metallic-finish trim options include Chrome or Brushed

MOULDED HINGE BODY
Engineering polymers with glass-fibre reinforcement are UV stabilised

Black



Tension adjustment from either end of hinge

Easy 'clip-on' trim covers

Regular

Heavy Duty



TCA1S3BT



TCA1L2S3BT



TCHD1AS3BT



TCHD1AL1S3BT



TCHD1AL2S3BT



TCA2S3BT



TCA2L2S3BT



TCHD1S3BT



TCHD1L1S3BT



TCHD1L2S3BT

Continuous performance improvement - now up to **40% stronger!**



TCA3S3BT



TCA3L2S3BT



TCHD2L1S3BT



TCHD2L2S3BT



Hinge Safety Cap (optional) prevents toddlers using lower hinge as a foothold

TCACAPS3 - Regular



Hinge Safety Cap (optional) prevents toddlers using lower hinge as a foothold

TCHDCAPS3 - Heavy Duty

Optional Brushed or Chrome metallic-finish trim covers. **No visible fasteners.**

Chrome

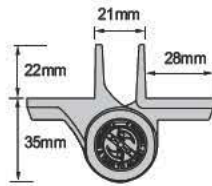
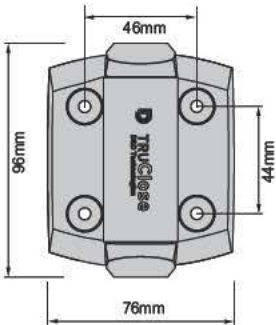
Brushed

Black

TruClose® "Series 3" Hinges – REGULAR RANGE

TCAIS3BT and TCAIL2S3BT

For Metal Gates



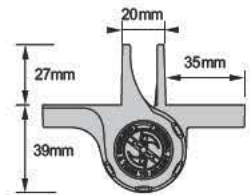
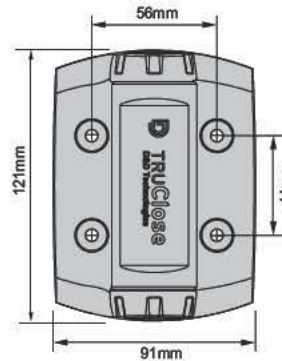
Max. Self-Closing	Point Load
30kg	300kg
Replaced 'Mark 2' model	
25kg	205kg

Legged models have increased point loads

TruClose® "Series 3" Hinges – HEAVY DUTY RANGE

TCHDIAS3BT, TCHDIALIS3BT, TCHDIAL2S3BT

For Metal Gates

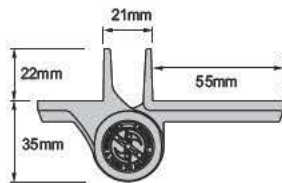
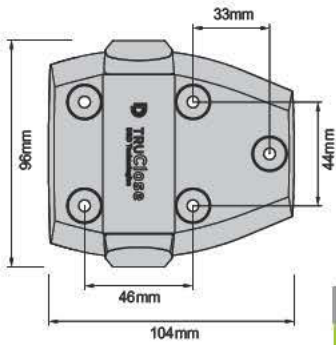


Max. Self-Closing	Point Load
70kg	450kg
Replaced 'Mark 2' model	
60kg	318kg

Legged models have increased point loads

TCA2S3BT and TCA2L2S3BT

For Metal/Wood Gates

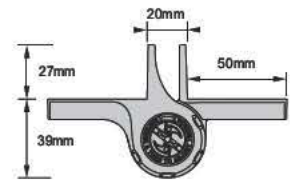
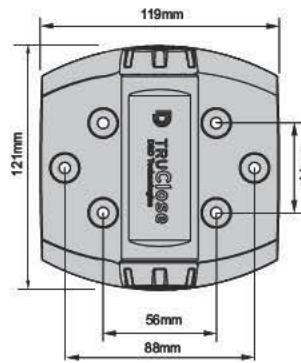


Max. Self-Closing	Point Load
30kg	300kg
Replaced 'Mark 2' model	
25kg	205kg

Legged models have increased point loads

TCHDIS3BT, TCHDILIS3BT, TCHDIL2S3BT

For Metal/Wood Gates

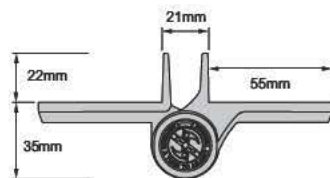
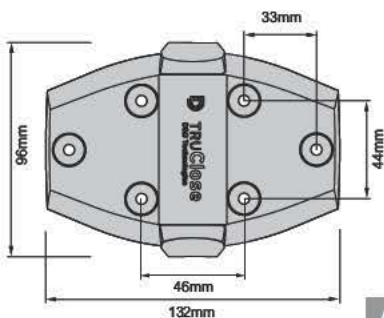


Max. Self-Closing	Point Load
70kg	450kg
Replaced 'Mark 2' model	
60kg	318kg

Legged models have increased point loads

TCA3S3BT and TCA3L2S3BT

For Wood Gates

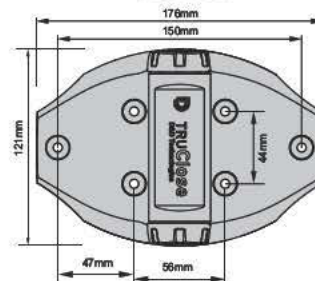
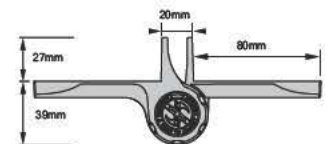
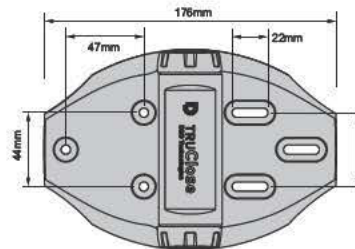


Max. Self-Closing	Point Load
30kg	300kg
Replaced 'Mark 2' model	
25kg	205kg

Legged models have increased point loads

TCHD2LISS3BT and TCHD2L2S3BT

For Wood Gates



Max. Self-Closing	Point Load
70kg	450kg
Replaced 'Mark 2' model	
60kg	318kg

Legged models have increased point loads

No fasteners included. Consult your hardware expert for the proper gauge fasteners.

D&D is proud to unveil the next generation in gate hardware.

Quality and Performance – built-in from start to finish.

- Over 23 years of proven reliability
- Quality ISO 9001 certification
- Continuous performance improvement
- Performance claims you can depend on
- D&D's product component traceability
- Limited Lifetime Warranty

"You can trust D&D products!"



LAURIE LAWRENCE
Former Australian Olympic Swim Coach
and child water safety advocate



AUSTRALIA: D&D Technologies P/L, Unit 6, 4–6 Aquatic Drive, Frenchs Forest NSW 2086
Tel: 1800 500 203 or (02) 9454 7800 Fax: (02) 9454 7600
E-mail: sales@ddtech.com.au

EUROPE: D&D Technologies B.V., Vondellaan Niasstraat 1
3531 WR Utrecht The Netherlands
Tel: +31 (0)30 291 98 47 Fax: +31 (0)30 291 99 98
E-mail: sales@ddtech.nl

